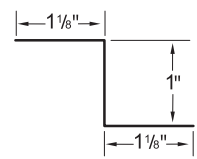
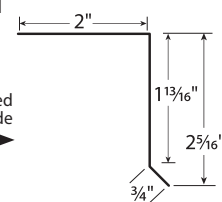
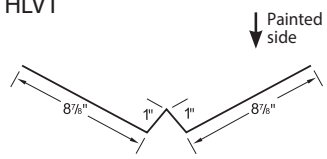
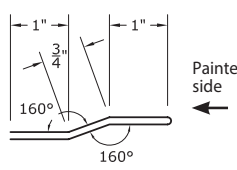
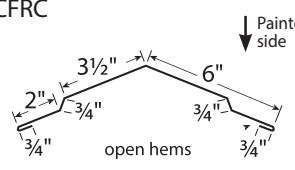
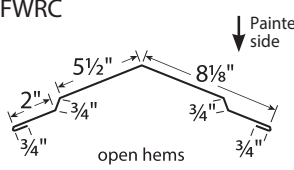
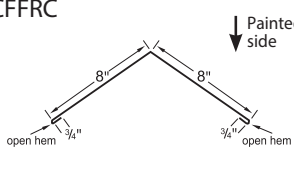
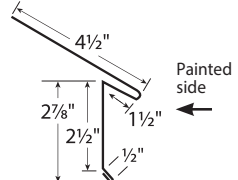
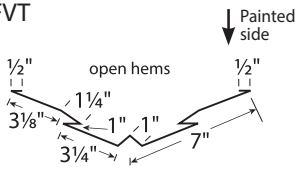
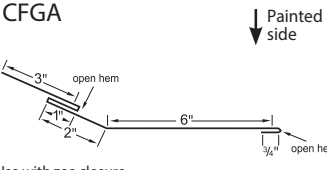
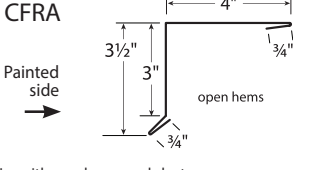
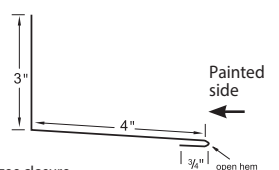
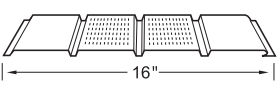
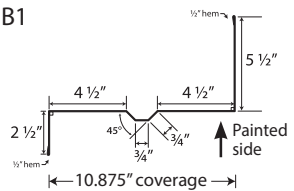
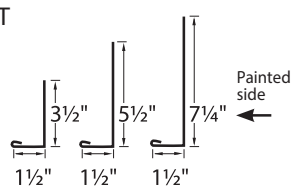
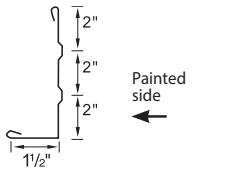
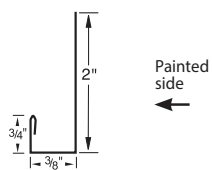
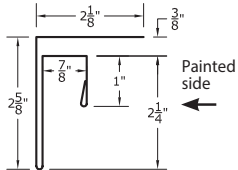
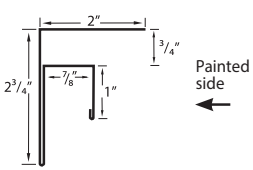
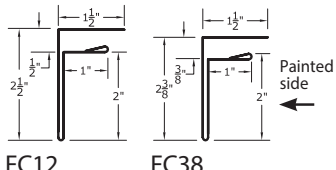
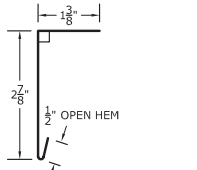
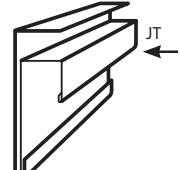
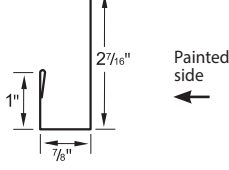


CONCEALED FASTENER TRIMS

Standard trim length 10'2" unless otherwise noted. All angles are 90° or 45° unless otherwise noted. Check product guide for girth and pitch. All hems are closed unless otherwise noted. Trim subject to change. See current product guide at www.CentralStatesMfg.com for current dimensions. *Specify pitch when ordering.

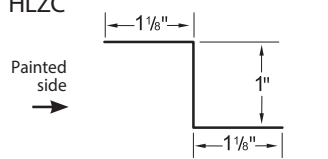
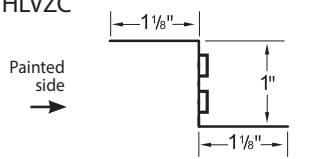
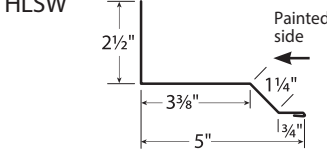
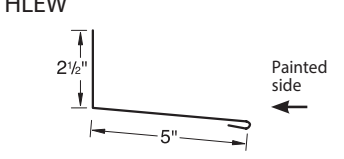
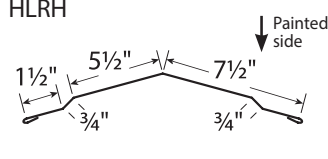
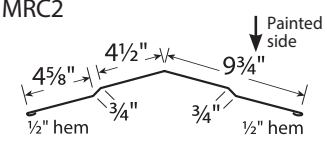
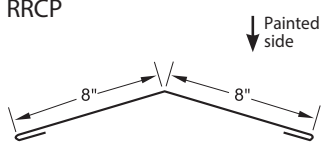
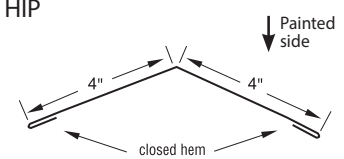
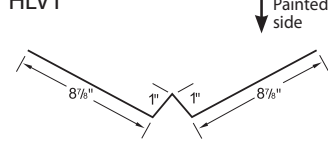
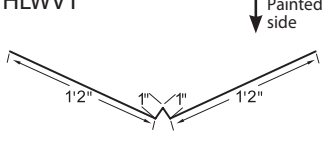
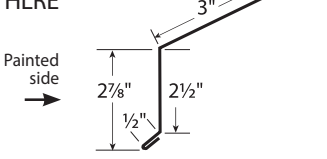
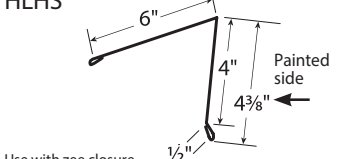
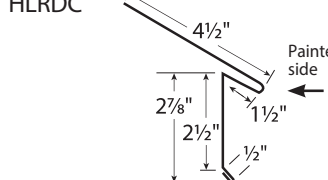
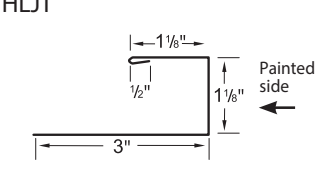
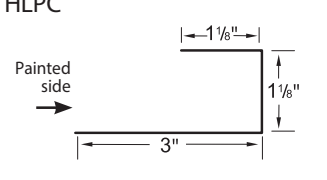
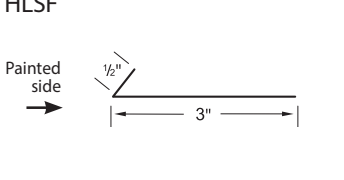
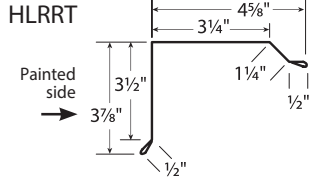

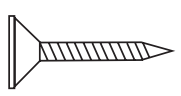
<p>ZEE CLOSURE HLZC</p>  <p>Also available in vented</p>	<p>CLEAT HLCL</p> 	<p>VALLEY* HLVT</p>  <p>Use with valley cleat</p>	<p>VALLEY CLEAT HLVC</p> 
<p>OPEN HEM RIDGECAP* CFRC</p>  <p>Use with zee closure</p>	<p>OPEN HEM WIDE RIDGECAP* CFWRC</p>  <p>Use with zee closure</p>	<p>OPEN HEM FLAT RIDGECAP* CFFRC</p>  <p>Use with zee closure</p>	<p>DRIP EDGE* HLRDC</p> 
<p>OPEN HEM VALLEY* CFVT</p> 	<p>OPEN HEM GAMBREL* CFGA</p>  <p>Use with zee closure</p>	<p>OPEN HEM RAKE CFRA</p>  <p>Use with zee closure and cleat</p>	<p>OPEN HEM SIDEWALL/ENDWALL* CFSI</p>  <p>Use with zee closure</p>

SOFFIT TRIMS

<p>ALUMINUM SOFFIT VENTED - VS SOLID - SS Std. 12' length</p>  <p>Longer lead times may apply.</p>	<p>GABLE BASE SOFFIT GB1</p> 	<p>RESIDENTIAL FASCIA TRIM RFT</p> 	<p>BEADED FASCIA BFT</p>  <p>Longer lead times may apply.</p>
<p>SOFFIT J-TRIM SJT</p> 	<p>SOFFIT F&J SFJ</p>  <p>For aluminum soffit</p>	<p>PANEL-LOC PLUS F&J PFJ</p>  <p>For Panel-Loc Plus™ as soffit</p>	<p>F CHANNEL</p>  <p>FC12 FC38</p>
<p>SOFFIT F ADAPTER SFA</p> 	<p>F&J ASSEMBLY SFA + JT</p> 	<p>J-TRIM MJT</p> 	

EXPOSED FASTENER TRIMS

Standard trim length 10'2" unless otherwise noted. All angles are 90° or 45° unless otherwise noted. Check product guide for girth and pitch. All hems are closed unless otherwise noted. Trim subject to change. See current product guide at www.CentralStatesMfg.com for current dimensions. *Specify pitch when ordering.

<p>ZEE CLOSURE HLZC</p>  <p>Painted side →</p>	<p>VENTED ZEE CLOSURE HLVZC</p>  <p>Painted side →</p>	<p>SIDEWALL TIE-IN HLSW</p>  <p>Painted side ←</p>	<p>ENDWALL TIE-IN* HLEW</p>  <p>Painted side ←</p> <p>Use with zee closure</p>
<p>RIDGECAP* HLRH</p>  <p>Painted side ↓</p> <p>Use with zee closure</p>	<p>WIDE RIDGECAP* MRC2</p>  <p>Painted side ↓</p> <p>Use with zee closure</p>	<p>RESIDENTIAL RIDGECAP* RRCP</p>  <p>Painted side ↓</p> <p>Use with zee closure</p>	<p>HIP CAP* HIP</p>  <p>Painted side ↓</p> <p>closed hem</p> <p>Use with zee closure</p>
<p>VALLEY* HLVT</p>  <p>Painted side ↓</p>	<p>WIDE VALLEY* HLWVT</p>  <p>Painted side ↓</p>	<p>EAVE TRIM* HLRE</p>  <p>Painted side →</p>	<p>HIGH-SIDE EAVE TRIM* HLHS</p>  <p>Painted side ←</p> <p>Use with zee closure</p>
<p>DRIP EDGE* HLRDC</p>  <p>Painted side ←</p>	<p>J-TRIM HLJT</p>  <p>Painted side ←</p>	<p>PANEL CAP HLPC</p>  <p>Painted side →</p>	<p>START/FINISH TRIM HLSF</p>  <p>Painted side →</p>
<p>RAKE TRIM HLRRT</p>  <p>Painted side →</p>	<p>METAL/WOOD SCREW #10</p> <ul style="list-style-type: none"> 1(color)MW 1 1/2(color)MW 2(color)MW 2 1/2(color)MW 3(color)MW  <p>1/4" head</p>	<p>ACCESSORIES</p> <ul style="list-style-type: none"> • Closures • Vented Closures • Gutters • Master Pipe Flashing • Universal Polyfoam • Flexovent • Grayflex • Touch Up Paint • Butyl Tape • Sealant 	
<p>LOW PROFILE PANCAKE HEAD SCREW</p> <ul style="list-style-type: none"> SSR1WOOD 1" SSR112WOOD 1 1/2" 	<p>POP RIVET POP</p> 